

DC300

Rack and pinion door closer with link arm



ASSA ABLOY DC300

- Certified in compliance with EN 1154, size 3-6
- Suitable for fire and smoke protection doors
- For single action doors up to 1400 mm wide

Characteristics for DC300

- Can be used with integrated concealed mounting plate, suitable for fire and smoke protection doors
- Can be used for left and right-handed doors
- Axis height-adjustable up to 14 mm
- Closing speed, latching speed and backcheck adjustable via front facing regulating valves
- Thermodynamic valves for consistent performance
- Variable adjustable closing force
- Opening angle up to 180°
- Effective backcheck and latching speed range adjustable
- Accessories for established installation types
- Large range of applications
- Standard colours: silver EV1; white, similar to RAL9016; brown, similar to RAL8014; black, similar to RAL9005
- Customised finishes available on request

Characteristics for hold open link arm L191

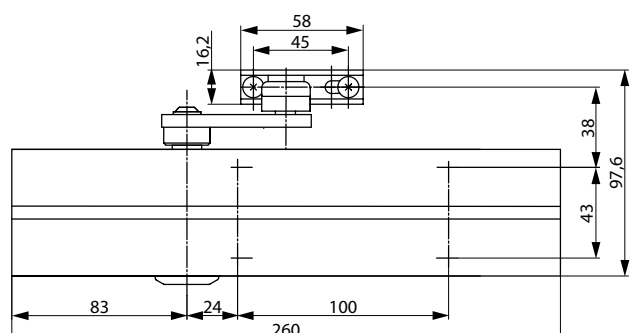
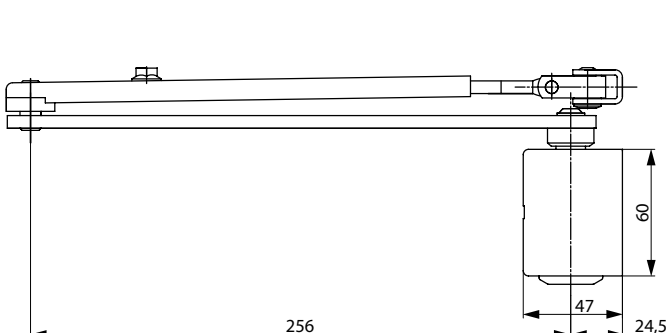
- Hold-open angle adjustable up to 150°
- Hold-open mode can be enabled and disabled as required
- Same installation as link arm
- Cannot be used with fire and smoke protection doors

Characteristics for special model DC300DA

- Delayed closing adjustable from front
- Other features as in Model DC300



CE	ASSA ABLOY Sicherheitstechnik GmbH Bildstockstraße 20 72458 Albstadt		10					
	1162-CPD-0485	EN 1154:1996+A1:2002	4	8	6 3	1	1	4
Dangerous substances: None								



DC300

Technical attributes

Technical attributes	
Variable adjustable closing force	EN 3-6
Door width up to	1400 mm
Fire and smoke protection	yes
DIN door swing directions	Left / right handed
Closing speed	Variable between 180°-15°
Latching speed	Variable between 15°-0°
Backcheck	Variable above 75°
Delayed closing (DC300DA)	yes
Hold-open mode (with hold-open link arm L191)	Adjustable 75°-150°, can be enabled and disabled
Weight	1.9 kg
Height	60 mm
Depth	47 mm
Length	260 mm
Certified in compliance with	EN 1154

The advantages at a glance

Our service for you: here you can see the individual advantages of our door closer models for your respective field of business.

Customer segment	Advantages
Project planners	<ul style="list-style-type: none"> - Extensive range of uses: Fire and smoke protection doors as well as standard doors - Modern design - Compact design - Fulfils barrier-free building requirements - Same dimensions and design with and without mounting plate - Comprehensive functions, standard and optional
Builders	<ul style="list-style-type: none"> - One drilling template overall - Adjustable to nearly all door and frame types - Quick and easy installation - Quickly and easily adjustable - Suitable for left and right handed doors, in both door and frame mounted applications
Trade	<ul style="list-style-type: none"> - Reduced inventory costs due to modular product range - One single product suitable for a large variety of mounting positions - Complementary accessories available for the whole product range
User	<ul style="list-style-type: none"> - Largely unaffected by temperature fluctuations thanks to thermodynamic valves - Easier door opening and improved accessibility due to rapidly decreasing torque - Backcheck feature offers optimum protection for doors and walls

You can find the complete specifications on the Internet at: (Link of your companies homepage)

Specifications for DC300

ASSA ABLOY Door Closer DC300 featuring rack and pinion technology in compliance with EN 1154

- Closing power adjustable, EN size 3-6, for doors up to 1400 mm wide
- Closing speed, latching speed and backcheck adjustable via front facing regulating valves
- Can be used with integrated concealed mounting plate, suitable for fire and smoke protection doors
- CE approved
- 14 mm height adjustable arm system for ease of fitting
- Suitable for left and right handed doors

Accessories:

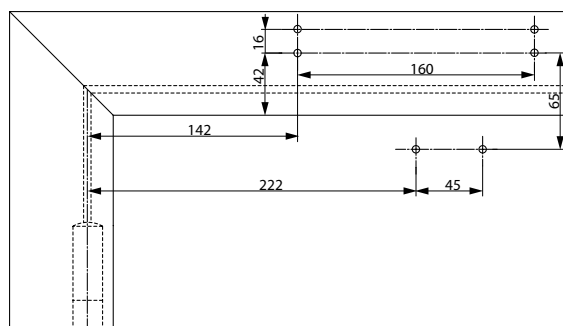
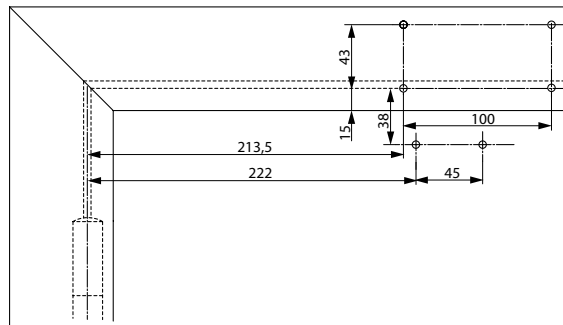
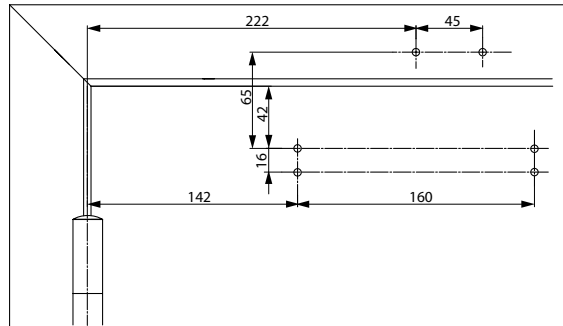
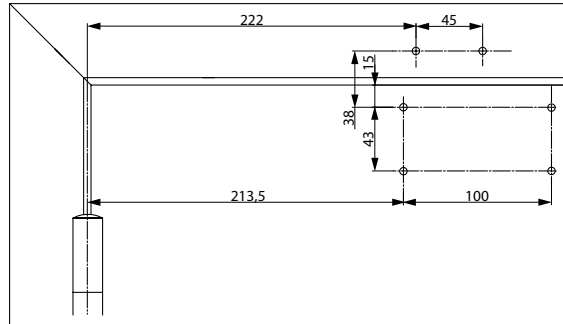
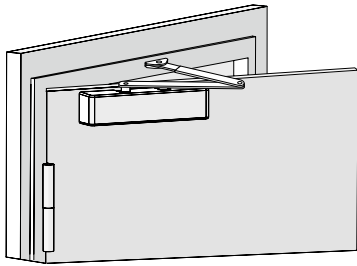
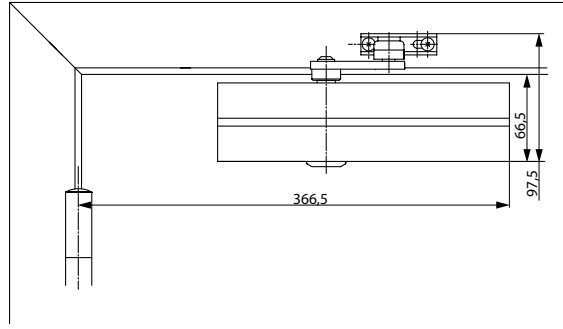
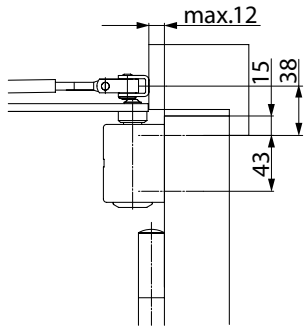
- Link arm L190
- Hold-open link arm L191
- Mounting plate A120
- Angle bracket A123
- Parallel arm bracket for parallel arm mounting A154
- Glass door shoe A165
- Full stainless steel cover A173

Colour:

- Silver EV1
- White, similar to RAL9016
- Brown, similar to RAL8014
- Black, similar to RAL9005
- Customised finish

DC300

Dimensional drawings



Required space on doors

Left handed shown in diagram

Right handed is the reverse

Installation dimensions for direct mounting

Left handed shown in diagram

Right handed is the reverse

Installation dimensions with mounting plate

In compliance with EN 1154, Supplement 1, or for doors where direct mounting is not possible.

Left handed shown in diagram

Right handed is the reverse

Frame mounting

Closer on non-hinge side of door frame

Right handed door shown in diagram

Left handed door is the reverse

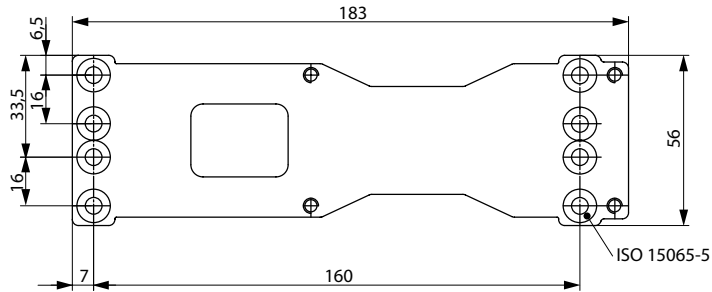
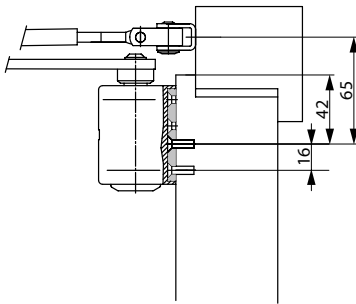
Installation dimensions with mounting plate for frame mounting

Closer on non-hinge side of door frame. For doors where direct mounting is not possible.

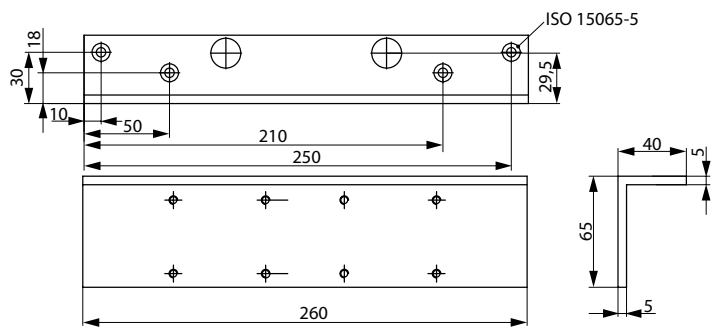
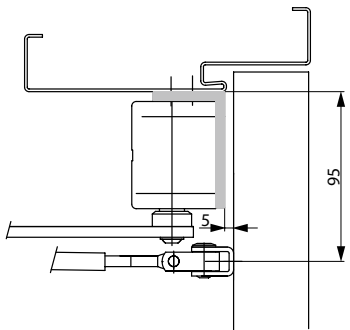
Right handed door shown in diagram

Left handed door is the reverse

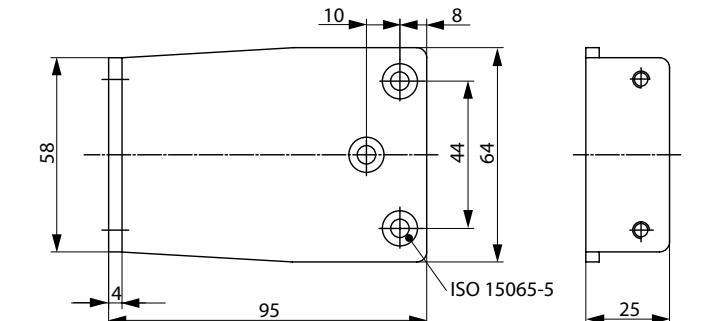
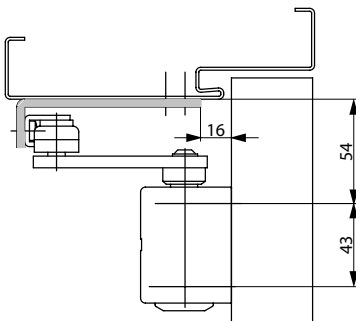
DC300 Accessories



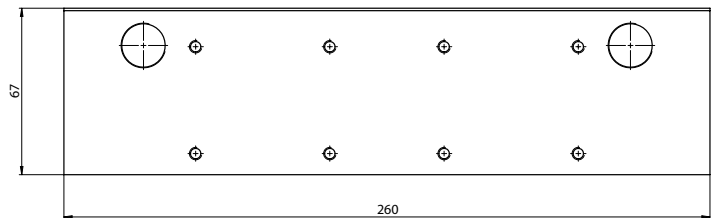
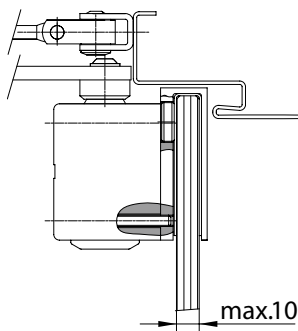
Mounting plate A120
For mounting with drilling template acc. to EN 1154 Supplement 1 (fire and smoke protection doors) and for universal use



Angle bracket A123
For frame mounting in case of deep jamb, headroom reduced by 70 mm. Check suitability for use on fire and smoke protection doors.



Parallel arm bracket A154
For Parallel Arm installation. Check suitability for use on fire and smoke protection doors.



Glass door shoe A165
For mounting the door closer on the all-glass door leaf.

DC300

Order placement information

Description	Order no.	Description	Order no.
DC300, EN size 3-6, silver EV1		Hold-open link arm L191, customised finish	
DC300, EN size 3-6, white, similar to RAL9016		Mounting plate A120, galvanised	
DC300, EN size 3-6, brown, similar to RAL8014		Angle bracket A123, silver EV1	
DC300, EN size 3-6, black, similar to RAL9005		Angle bracket A123, white, similar to RAL9016	
DC300, EN size 3-6, customised finish		Angle bracket A123, brown, similar to RAL8014	
DC300DA, size 3-6, silver EV1		Angle bracket A123, black, similar to RAL9005	
DC300DA, size 3-6, white, similar to RAL9016		Angle bracket A123, customised finish	
DC300DA, size 3-6, brown, similar to RAL8014		Parallel arm bracket A154, silver EV1	
DC300DA, size 3-6, black, similar to RAL9005		Parallel arm bracket A154, white, similar to RAL9016	
DC300DA, size 3-6, customised finish		Parallel arm bracket A154, brown, similar to RAL8014	
Link arm L190, silver EV1		Parallel arm bracket A154, black, similar to RAL9005	
Link arm L190, white, similar to RAL9016		Parallel arm bracket A154, stainless steel	
Link arm L190, brown, similar to RAL8014		Parallel arm bracket A154, customised finish	
Link arm L190, black, similar to RAL9005		Glass door shoe A165, silver EV1	
Link arm L190, customised finish		Mounting Plate A168, silver EV1	
Hold-open link arm L191, silver EV1		Full stainless steel cover A173	
Hold-open link arm L191, white, similar to RAL9016			
Hold-open link arm L191, brown, similar to RAL8014			
Hold-open link arm L191, black, similar to RAL9005			