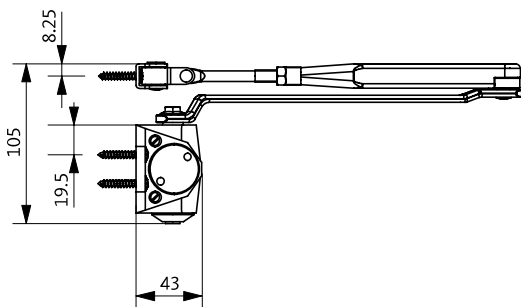
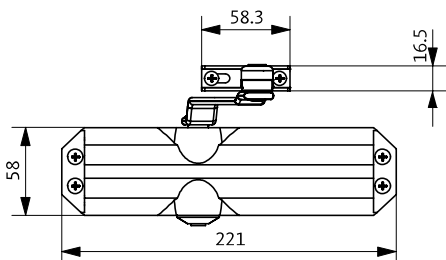
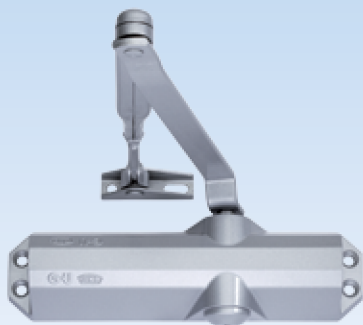


OTS 140

for door leaf widths up to 1100 mm



Product features

- Closing force sizes EN 2 / 3 / 4: sizes can be adjusted by moving the closer and turning the arm bearing block
- Valve functions which can be steplessly adjusted from the front:
 - closing speed
 - latching speed
- Valves with thermal characteristics for consistent closing operation in the event of temperature fluctuations
- Safety valve in the closer protects against overload
- Max. door opening and closing angle 180° [1]
- Controlled closing from every opening angle
- Compact, state-of-the-art aluminium housing
- Optional: with hold-open arm for door openings of 70° – 130°



06 2006-OTS-0002

EN 1154: 1996 + A1: 2002

4	8	4	0	1	4
---	---	---	---	---	---