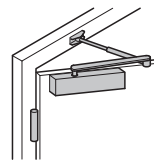
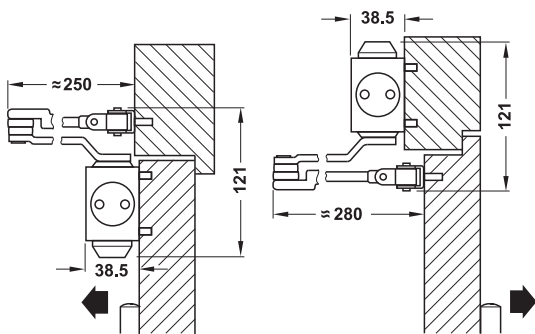
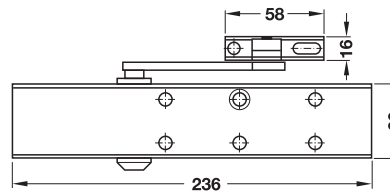
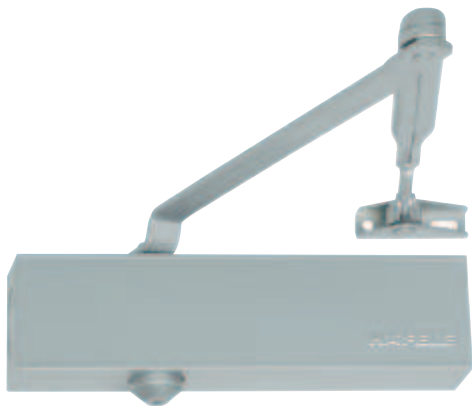
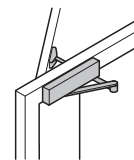


DCL 51 EN 2 – 5



Standard installation
(door leaf installation)
on pull side



Overhead installation
(transom fixing)
on push side

Fire resistance and smoke control

F Tested for fire resistant and smoke control doors.

X The use of a hold open device on fire resistant and smoke control doors is not permitted.

- Version: Optionally with standard arm or hold open arm
- Installation: Suitable for standard installation on pull side and overhead installation on push side
- Adjustment facility: Closing speed, backcheck and latching action adjustable
- Closing force: 2 – 5
- Door width: $\leq 1,250$ mm
- Door weight: ≤ 100 kg
- Opening angle: $\leq 180^\circ$
- Hold open angle: $\leq 150^\circ$
- Mounting: For DIN left hand and DIN right hand use
- Standard: Certified in compliance with EN 1154:1996/A1:2002
- Class:

4	8	2 – 5	1	1	3
---	---	-------	---	---	---

		Silver colour lacquered	Stainless steel matt	Brass polished
DCL 51 set with standard arm				
1 DCL 51 with standard arm	F	931.84.829	931.84.820	931.84.828
DCL 51 set with hold open arm				
1 DCL 51 with hold open arm	X	931.84.669	931.84.660	931.84.668