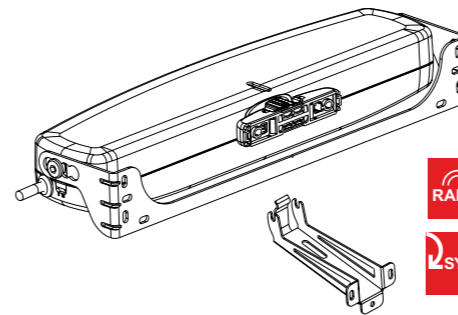


C30

Chain actuator
Thrust force 300 N
Max stroke 380 mm



CODE PRODUCT DESCRIPTION

C30 standard 1 push point

3A4#	C30 chain actuator 230V - black
3A4#	C30 chain actuator 230V - grey
3A4#	C30 chain actuator 230V - white

3A4#	C30 chain actuator 24V - black
3A4#	C30 chain actuator 24V - grey
3A4#	C30 chain actuator 24V - white

C30 230V with on-board radio receiver and TR4 remote control available upon request.

C30 synchronised for more push points on the same window frame (Frame width > about 1,80m)

3A42#	C30S Chain actuator 230V black
3A42#	C30S Chain actuator 230V grey
3A42#	C30S Chain actuator 230V white

3A42#	C30S Chain actuator 24V black
3A42#	C30S Chain actuator 24V grey
3A42#	C30S Chain actuator 24V white

Description of the standard pattern for 1 push point

3A4#	C30 chain actuator 230V (spare parts included)
	Swivel frontal bracket for top/bottom hung windows
	Upper bracket for bottom hung windows
	ARS Rapid hooking device to the frame

Description of the standard pattern for 2 push points

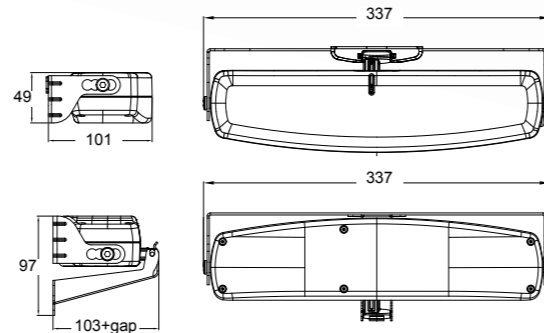
3A42#	C30S chain actuator 230V black 5mt cable
3A42#	C30S chain actuator 230V black 5mt cable

Accessories and spare parts

1A4810	Swivel frontal bracket for top/bottom hung windows - black
1A4812	Swivel frontal bracket for top/bottom hung windows - grey
1A4811	Swivel frontal bracket for top/bottom hung windows - white
1A4815	Swivel brackets set for vertical mounting - black
1A4817	Swivel brackets set for vertical mounting - grey
1A4816	Swivel brackets set for vertical mounting - white
1A4615	Upper bracket for bottom hung windows - black
1A4617	Upper bracket for bottom hung windows - grey
1A4616	Upper bracket for bottom hung windows - white
1UA001	ARS Rapid hooking device to the frame - black
1UA003	ARS Rapid hooking device to the frame - grey
1UA002	ARS Rapid hooking device to the frame - white

DESCRIPTION FOR TECHNICAL SPECIFICATIONS

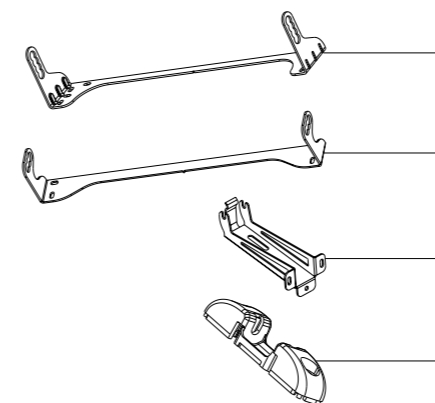
Electric C30 actuator with double link articulated chain, enclosed in a special casing, with different mounting accessories for top and bottom hung windows. Operation at 230V 50Hz or, as an alternative, at 24V DC. Maximum applicable load 300N. Fast hooking and unhooking system of the chain to the window. Adjustment of the stroke at 200 or 380mm by an external knob. Electronic device with acoustic warning to signal erroneous installation to the user. Upon request, a preset "S" version for the synchronous operation of more actuators on the same window is available. CE marked device.



Telescopic chain end providing a rapid adjusting from 0 to 15mm, even with chain completely retracted into the actuator housing, that allows easy application on windows with overlap.

Easy fixing system, fit for windows of any type and size.

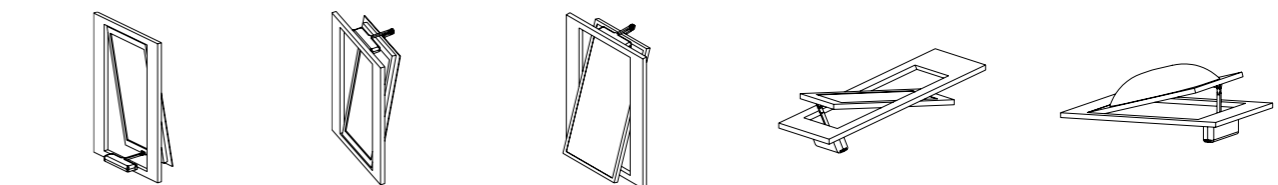
Double link chain with very high resistance on top loads.



TECHNICAL CHARACTERISTICS

	C30 230V	C30 24V
Power supply voltage	230V ~ 50Hz	24V DC
Maximum applicable load in thrust		300 N
Maximum applicable load in traction		300 N
Strokes		200 and 380 mm
Absorbed current	0,26 A	1,3 A
Idle translation speed	27 mm/s	17 mm/s
Duration of the idle stroke	14 s	22 s
Double insulated	YES	-
Service Type		S2 of 4 min
Operating temperature		-5°C +50°C
Protection Class		IP 30
Adjustment of the window frame connection		15 mm
Adjustment of pins for the swivel brackets		15 mm
Parallel connection option		YES
Synchronous operation of more actuators on the same window		with S version
Chain position control		YES
Stroke end		encoder
Electronic device with acoustic warning to signal erroneous installation (Buzzer)		YES
Dimensions		337,2x80x49 mm
Weight**		1,1 kg

** The weight indicated may vary according to the chosen accessories



Top-hung windows

Bottom-hung windows

Bottom-hung windows

Skylights, roof windows

Cupolas