

DC347

Rack and pinion door closer with extra strong link arm



ASSA ABLOY DC347

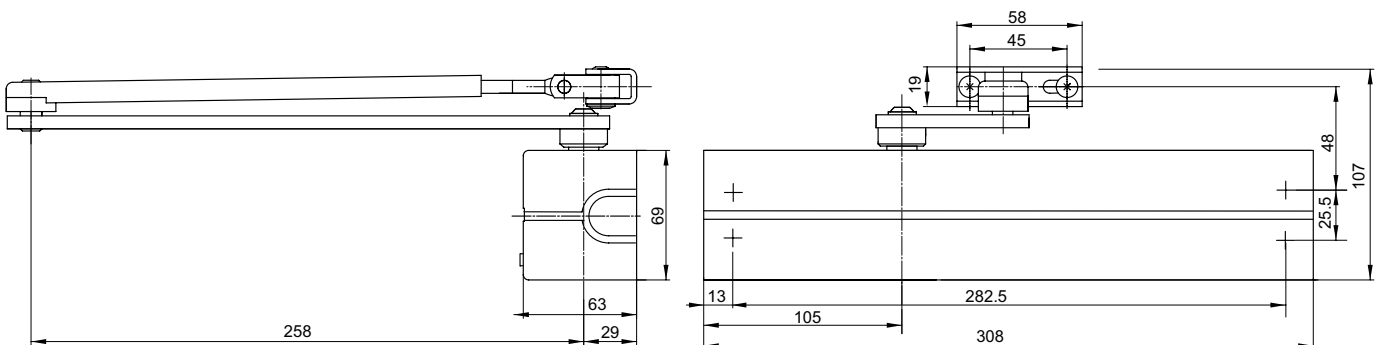
- Certified in compliance with EN 1154, size 5 - 7
- Suitable for fire and smoke protection doors
- For single action doors up to 1600 mm wide

Characteristics for DC347

- For single action doors up to 1600 mm wide
- Can be used with integrated concealed mounting plate, suitable for fire and smoke protection doors
- Can be used for left and right handed doors
- Axis height-adjustable up to 14 mm
- Closing speed, latching speed and backcheck adjustable via front facing regulating valves
- Thermodynamic valves for consistent performance
- Variable adjustable closing force
- Opening angle up to 180°
- For heavy door applications
- Standard colours: silver EV1; white, similar to RAL9016; brown, similar to RAL8014; black, similar to RAL9005
- Customised finishes available on request



CE	Abloy Oy	04
	PO Box 108 80101 Joensuu, Finland	
1162-CPD-0131	EN1154:1996+A1:2002	4 8 7/5 1 1 3



DC347

Technical attributes

Technical attributes	
Door width up to	1600 mm
Variable adjustable closing force	EN 5-7
DIN door swing directions	left / right handed
Closing speed	Variable between 180°-0°
Latching speed	Variable between 15°-0°
Backcheck	Variable above 75°
Weight	2.2 kg
Height	69 mm
Depth	63 mm
Length	308 mm
Fire and smoke protection	yes
Certified in compliance with	EN 1154
CE marking for building products	yes

The advantages at a glance

Our service for you: here you can see the individual advantages of our door closer models for your respective field of business.

Customer segment	Advantages
Project planners	<ul style="list-style-type: none"> - For heavy doors, fire and smoke protection doors as well as standard doors - Modern design - Compact design - Same dimensions and design with and without mounting plate
Builders	<ul style="list-style-type: none"> - Quick and easy installation - Quickly and easily adjustable - Suitable for left and right handed doors, in both door and frame mounted applications
Trade	<ul style="list-style-type: none"> - One single product suitable for a large variety of mounting positions - Complimentary accessories available
User	<ul style="list-style-type: none"> - Largely unaffected by temperature fluctuations thanks to thermodynamic valves - Enough closing force for all type of heavy doors - Backcheck feature offers optimum protection for doors and walls

Specifications for DC347

- ASSA ABLOY Door Closer DC347 featuring rack and pinion technology in compliance with EN 1154
- Closing power variable adjustable, EN size 5 - 7, for doors up to 1600 mm wide
 - Closing speed, latching speed and backcheck adjustable via front facing regulating valves
 - Can be used with integrated concealed mounting plate, suitable for fire and smoke protection doors
 - CE approved
 - 14 mm height adjustable arm system for ease of fitting
 - Suitable for left and right handed doors

Accessories:

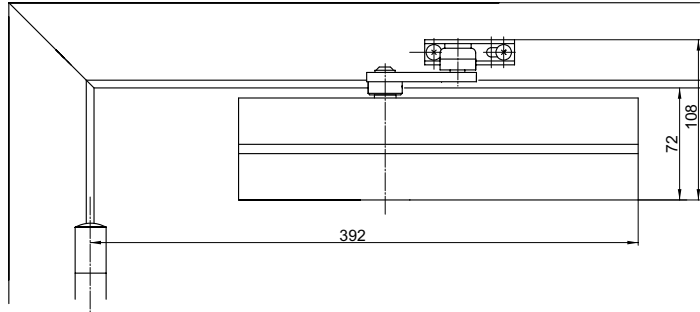
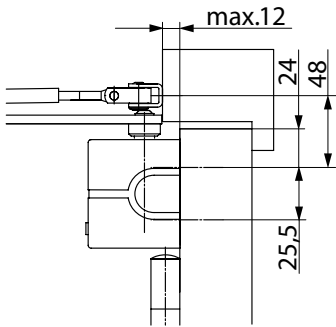
- Extra strong link arm L197
- Mounting plate A126
- Angle bracket A107

Colour:

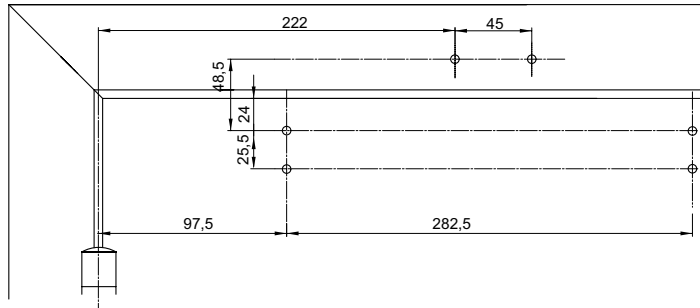
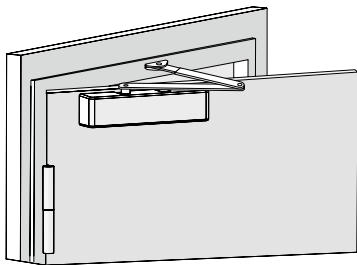
- Silver EV1
- White, similar to RAL9016
- Brown, similar to RAL8014
- Black, similar to RAL9005
- Customised finish

You can find the complete specifications on the Internet at: (Link of your companies homepage)

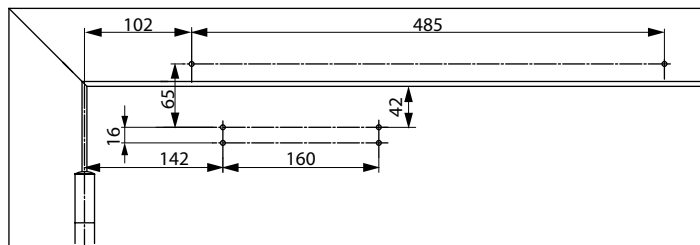
Dimensional drawings



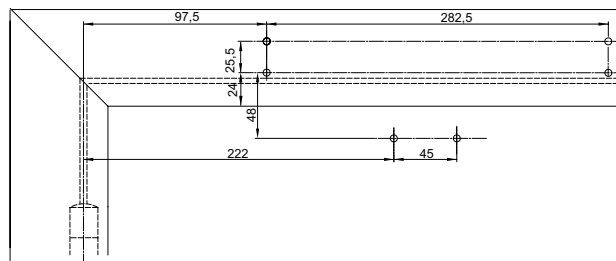
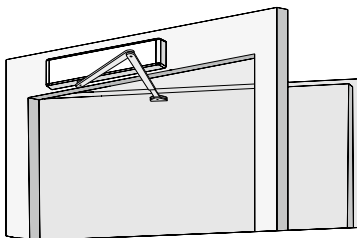
Regular door mounting
 Left handed door shown in diagram
 Right handed door is the reverse



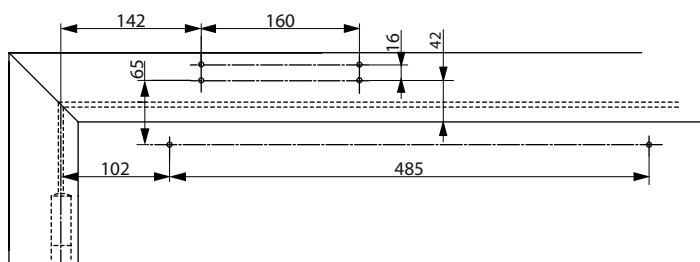
Installation dimension for direct mounting
 Left handed shown in diagram
 Right handed is the reverse



Installation dimensions with mounting plate
 In compliance with EN 1154, Supplement 1, or for doors where direct mounting is not possible.
 Left handed shown in diagram
 Right handed is the reverse



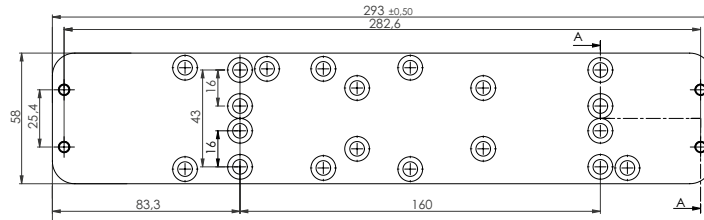
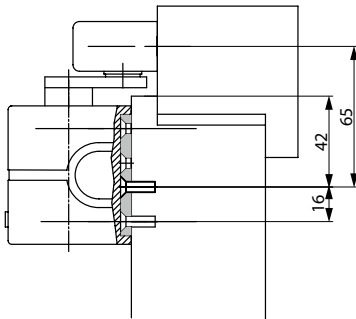
Frame mounting
 Closer on hinge side of door frame.
 Left handed shown in diagram
 Right handed is the reverse



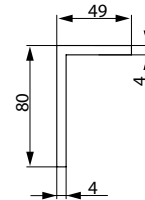
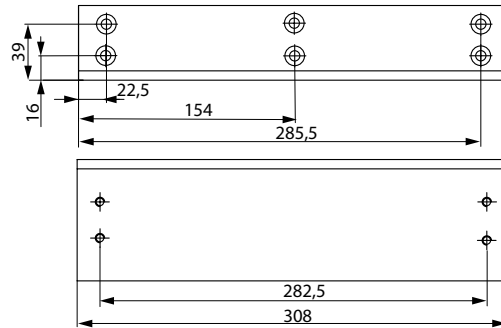
Installation dimensions with mounting plate for frame mounting
 Closer on non-hinge side of door frame. For doors where direct mounting is not possible.
 Left handed shown in diagram
 Right handed is the reverse

DC347

Dimensional drawings and order placement information



Mounting plate A126
For mounting with drilling template acc. to EN 1154 Supplement 1 (fire and smoke protection doors) and for universal use



Angle bracket A107
For frame mounting in case of deep jamb, headroom reduced by 80 mm. Check suitability for use on fire and smoke protection doors.

DC340 / DC347 with stainless steel, full cover



DC340 / DC347 with stainless steel, ASSA ABLOY design



Description	Order no.
DC347, EN size 5-7, silver EV1	
DC347, EN size 5-7, white, similar to RAL9016	
DC347, EN size 5-7, brown, similar to RAL8014	
DC347, EN size 5-7, black, similar to RAL9005	
DC347, EN size 5-7, stainless steel, ASSA ABLOY design	
DC347, EN size 5-7, stainless steel, full cover	
DC347, EN size 5-7, customised finish	
Extra strong link arm L197, silver EV1	
Extra strong link arm L197, white, similar to RAL9016	

Description	Order no.
Extra strong link arm L197, brown, similar to RAL8014	
Extra strong link arm L197, black, similar to RAL9005	
Extra strong link arm L197, stainless steel	
Extra strong link arm L197, customised finish	
Angle bracket A107, silver EV1	
Angle bracket A107, customised finish	
Mounting plate A126, galvanised	